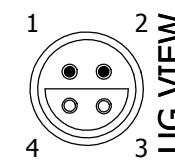


LED Indicators:

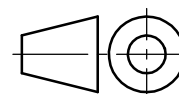
- LED 1: Green, Ready/ Power
- LED 2: Yellow, Triggered
- LED 3: Red, Fault Condition

Lemo, 4 pin (Control)

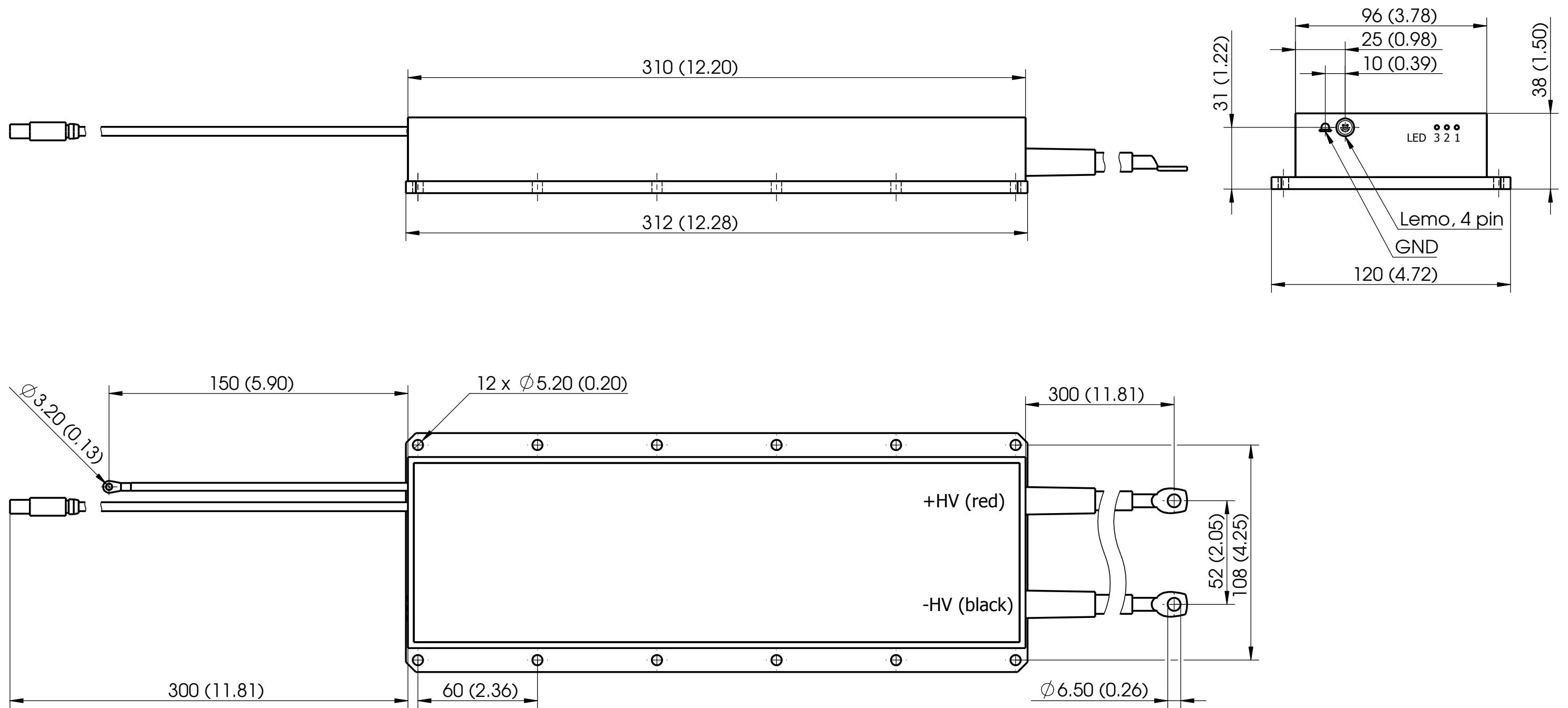


- 1: Control Input (3-10V)
- 2: Ground, GND, Return
- 3: +5.00 VDC/ 500mA
- 4: Fault Signal Out/ TTL

Drawing (projection) according to DIN standards.  
 All dimensions in mm and (inches).  
 All data and dimensions subject to change without notice.



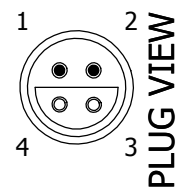
Modification	Date	Name	Drawn	GAL	HTS 800-100-SCR Options:
			Verified		
			Date	07.04.2016	
<b>BEHLKE</b> BEHLKE POWER ELECTRONICS GMBH Am Auernberg 4, 61476 Kronberg - Germany HIGH-TECH IN HIGH VOLTAGE Phone +49 (0) 6173-9290-20, www.behlke.com					Drawing:
					Sheet: 1 / 1



**LED Indicators:**

- LED 1: Green, Ready/ Power
- LED 2: Yellow, Triggered
- LED 3: Red, Fault Condition

**Lemo, 4 pin (Control)**



- 1: Control Input (3-10V)
- 2: Ground, GND, Return
- 3: +5.00 VDC/ 500mA
- 4: Fault Signal Out/ TTL

Drawing (projection) according to DIN standards.

All dimensions in mm and (inches).

All data and dimensions subject to change without notice.

Modification	Date	Name	Drawn	GAL	HTS 800-100-SCR Option: FH
			Verified		
			Date	07.04.2016	
<b>BEHLKE</b> BEHLKE POWER ELECTRONICS GMBH Am Auernberg 4, 61476 Kronberg - Germany HIGH-TECH IN HIGH VOLTAGE Phone +49 (0) 6173-9290-20, www.behlke.com					Drawing:
					Sheet: 1 / 1