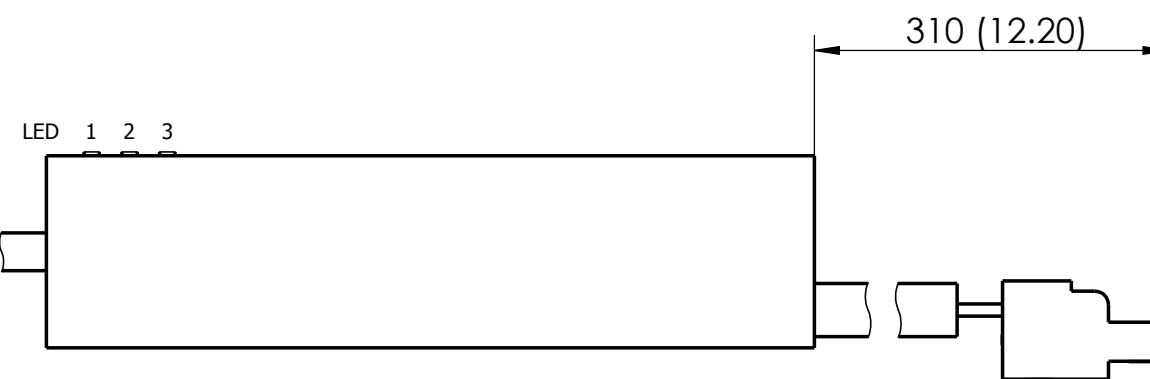
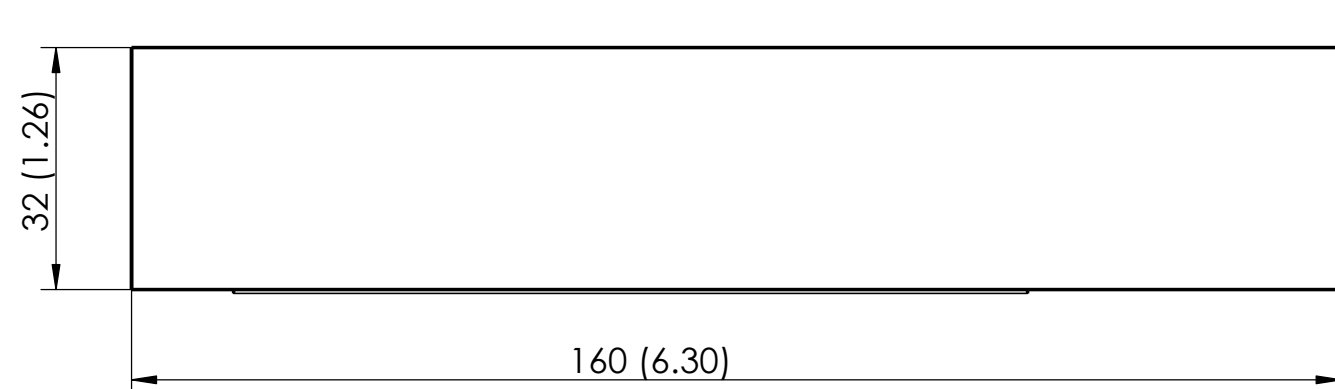
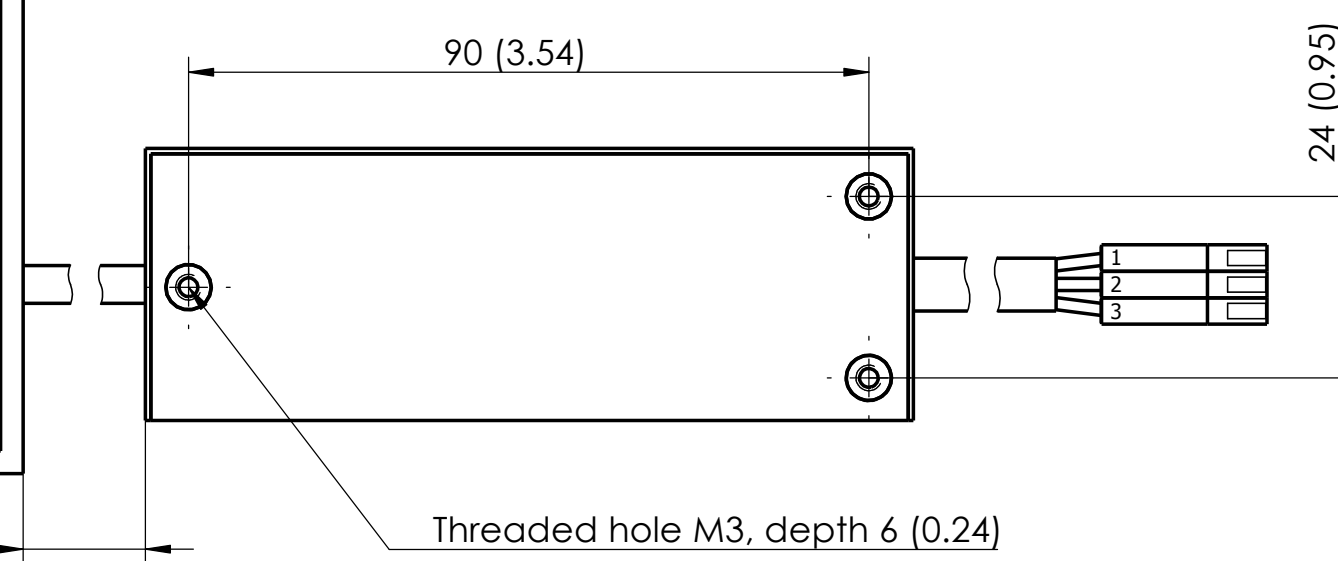


3- Pole Plug:

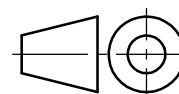
- 1- Red, +5.00 VDC ( $\pm 2\%$ , 500mA)
- 2- Orange, TTL Trigger Input (3-10V)
- 3- Black, Ground/ GND/ Return

LED Indicators:

- LED 1: Green, Ready/ Power
- LED 2: Yellow, Triggered
- LED 3: Red, Fault Condition



Drawing (projection) according to DIN standards.  
 All dimensions in mm and (inches).  
 All data and dimensions subject to change without notice.



Modification	Date	Name	Drawn	GAL
			Verified	
			Date	29.03.2016

**BEHLKE** BEHLKE POWER ELECTRONICS GMBH  
 HIGH-TECH IN HIGH VOLTAGE Am Auernberg 4, 61476 Kronberg - Germany  
 Phone +49 (0) 6173-9290-20, www.behlke.com

**HTS 220-1200-SCR**  
 Modification F-0-454  
 Drawing:  
 Sheet: 1 / 1